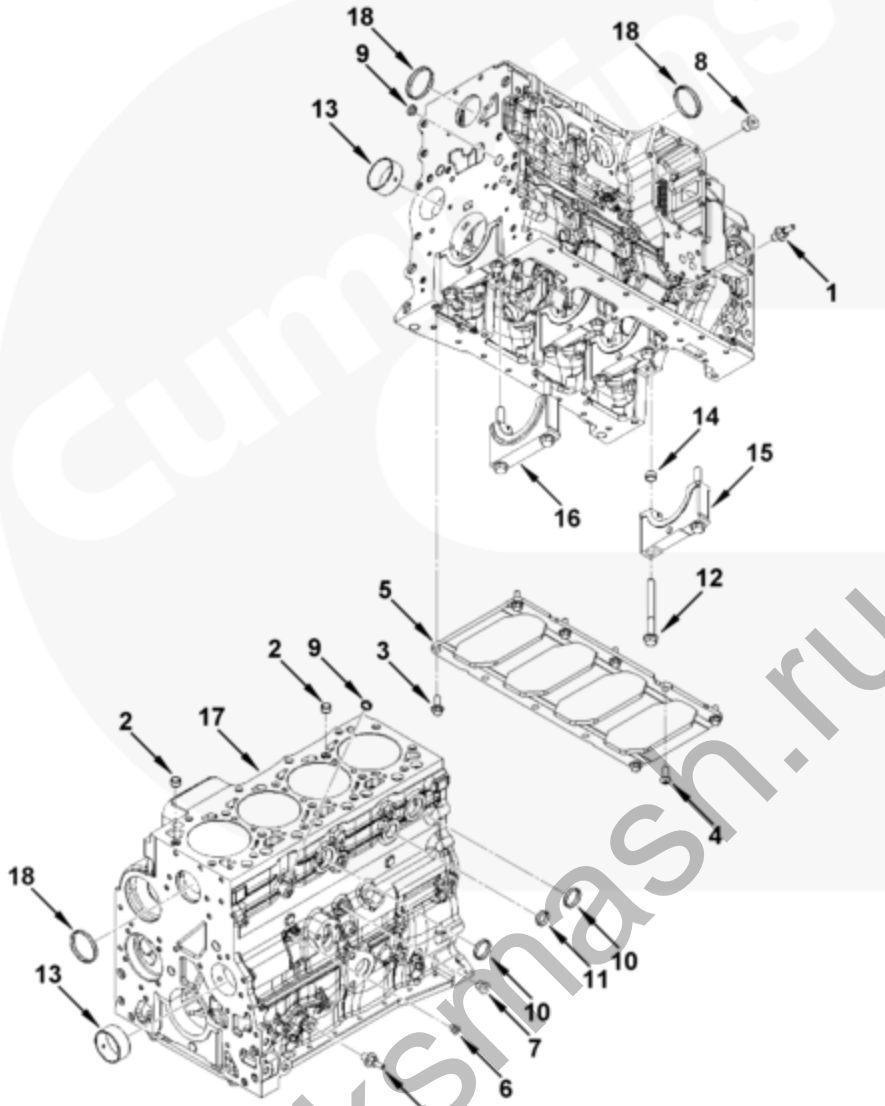




Каталог деталей - Сведения о варианте

Электронный каталог деталей - описание данного варианта				
Доп. устройство	Группа	Рисунок	Карта	Дата
BB9203-01	01.01	bb911ga	T	22-JAN-07
Двигатели	4B3.9, 6B5.9, B GAS INTERNATIONAL CM556, B4.5, B4.5 CM2350 B129B, B4.5 CM2350 B147B, B4.5 RGT, B4.5S, B5.9 G, B5.9 GAS PLUS CM556, B5.9 LPG, B5.9 LPG PLUS CM556, B6.7 CM2350 B121B, B6.7 CM2350 B135B, B6.7 CM2350 B148B, B6.7 G CMOH6.0 B125, B6.7S, F3.8 CM2350 F120B, F3.8 F102, G3.9, G5.9, G5.9 CM558, ISB (CHRYSLER), ISB CM2150, ISB CM2150 E, ISB CM550, ISB CM850, ISB/ISD4.5 CM2150 B119, ISB/ISD4.5 CM2150 SN, ISB/ISD6.7 CM2150 B120, ISB/ISD6.7 CM2150 SN, ISB/ISD6.7 CM2880 B126, ISB3.9 CM2220 B107, ISB4.5 CM2150, ISB5.9G CM2180, ISB6.7 2010 DCX PICKUP, ISB6.7 2013 DCX CHASSIS CAB, ISB6.7 CM2150 SQ, ISB6.7 CM2250, ISB6.7 CM2350 B101, ISB6.7 CM2350 B103, ISB6.7 CM2350 B142, ISB6.7 G CM2180 B118, ISBE CM2150, ISBE CM800, ISBE2/ISBE3 CM850, ISBE4 CM850, ISD4.5 CM2150, ISD6.7 CM2880 D101, ISF2.8 CM2220, ISF2.8 CM2220 AN, ISF2.8 CM2220 EC, ISF2.8 CM2220 ECF2, ISF2.8 CM2220 F101, ISF2.8 CM2220 F117, ISF2.8 CM2220 F126, ISF2.8 CM2220 F129, ISF2.8 CM2220 IAN, ISF3.8 CM2220, ISF3.8 CM2220 AN, ISF3.8 CM2220 F103, ISF3.8 CM2220 F110, ISF3.8 CM2220 F116, ISF3.8 CM2220 IAN, ISF3.8 CM2350 F109, ISF4.5 CM2220 F123, ISG11 CM2880 G106, ISG11 CM2880 G108, ISG12 CM2880 G107, ISG12 CM2880 G109, ISG12 G CMOH6.0 G111, QSB3.9 30 CM550, QSB3.9 CM2880 B138, QSB4.5 30 CM550, QSB4.5 CM2150 B108, QSB4.5 CM2250 B131, QSB4.5 CM2250 EC, QSB4.5 CM2350 B106, QSB4.5 CM2350 B122, QSB4.5 CM2350 B144, QSB4.5 CM850, QSB5.9 30 CM550, QSB5.9 44 CM550, QSB5.9 CM2880 B115, QSB5.9 CM2880 B139, QSB5.9 CM850, QSB6.7 CM2150 B109, QSB6.7 CM2250			



bb911ga

МАЛЫЙ | СРЕДНИЙ | БОЛЬШОЙ

Cart	Ref No	Part Number	Part Description	Required	Remarks
View My Cart					
		BB9203-01	Блок цилиндров		Cylinder Block...(More)
					Cylinders: 4
					High Speed Balancer: No
					water pump location: Low
					Crank Gear Material: Steel
					Fuel Type: Diesel premium
					block: No tapped fittings:
					Storm structural block: No
					thrust face: 180 degrees
					main bearing type: Standard
					valves per cylinder: 4 rear

					gear train provision: Yes
					front gear train provision:
					No
					Front PTO Provision: Yes
					tappet diameter: 30mm block
					oil pan flange bolt pattern
					spacing: 60mm block oil pan
					flange bolt pattern width:
					299mm block oil pan flange
					bolt pattern quantity: 16
					components included in oil
					pan flange bolt pattern
					block: Yes rear gear
					housing: Yes oil pump: No
					front gear cover: Yes cast
					rear drive provision: No
					Additional Rear Structural
					Member: No threaded plug:
					3678923 may be used in place
					of 3977851
					3680420 may be used in place
					of 3977853
					3089567 may be used in place
					of 3977854
					3678873 may be used in place
					of 3977855 grounded stud (
					3936352) location: Fuel pump
					side: Hole # 2008 exhaust
					side: Hole # 5025.
<input type="checkbox"/>	1	3936352	Studded Flange Cap Screw	2	
<input type="checkbox"/>	2	3902343	Ring Dowel	2	

<input type="checkbox"/>	3	3902460	Hexagon Flange Head Cap Screw	9	M10 X 1.50 X 25.
<input type="checkbox"/>	4	3949830	Round Head Cap Screw	1	M10 X 1.50 X 25
<input type="checkbox"/>	5	3970102	Cylinder Block Stiffener	1	
<input type="checkbox"/>	6	3977851	Threaded Plug	1	M10 X 1.00 X 11
<input type="checkbox"/>	7	3977853	Threaded Plug	1	M14 X 1.50 X 15
<input type="checkbox"/>	8	3977855	Threaded Plug	1	
<input type="checkbox"/>		4934322	Блок цилиндров	1	Serviced as 4955475
<input type="checkbox"/>	9	3900956	Expansion Plug	2	17.73 mm
<input type="checkbox"/>	10	3905401	Expansion Plug	2	
<input type="checkbox"/>	11	3007635	Expansion Plug	1	
<input type="checkbox"/>	12	3927948	Fracture Resistant Screw	10	
<input type="checkbox"/>	13	3940059	Втулка	2	
<input type="checkbox"/>		3974157	Main Bearing Cap	4	
<input type="checkbox"/>	14	3900068	Ring Dowel	2	
	15	3974156	Main Bearing Cap	1	
<input type="checkbox"/>		3974159	Main Bearing Cap	1	
<input type="checkbox"/>	14	3900068	Ring Dowel	2	
<input type="checkbox"/>	16	3974158	Main Bearing Cap	1	
	17	4934319	Блок цилиндров	1	
<input type="checkbox"/>	18	4938189	Expansion Plug	4	
<input type="checkbox"/>		4955475	Cylinder Block Kit	A/R	

© 2017 Cummins Inc., Box 3005, Columbus, IN 47202-3005 U.S.A.
 Условия использования и отказа от ответственности | Рекомендуемые требования к системе
 Need Assistance? Please click on the Contact Us button in the top right corner of any page.