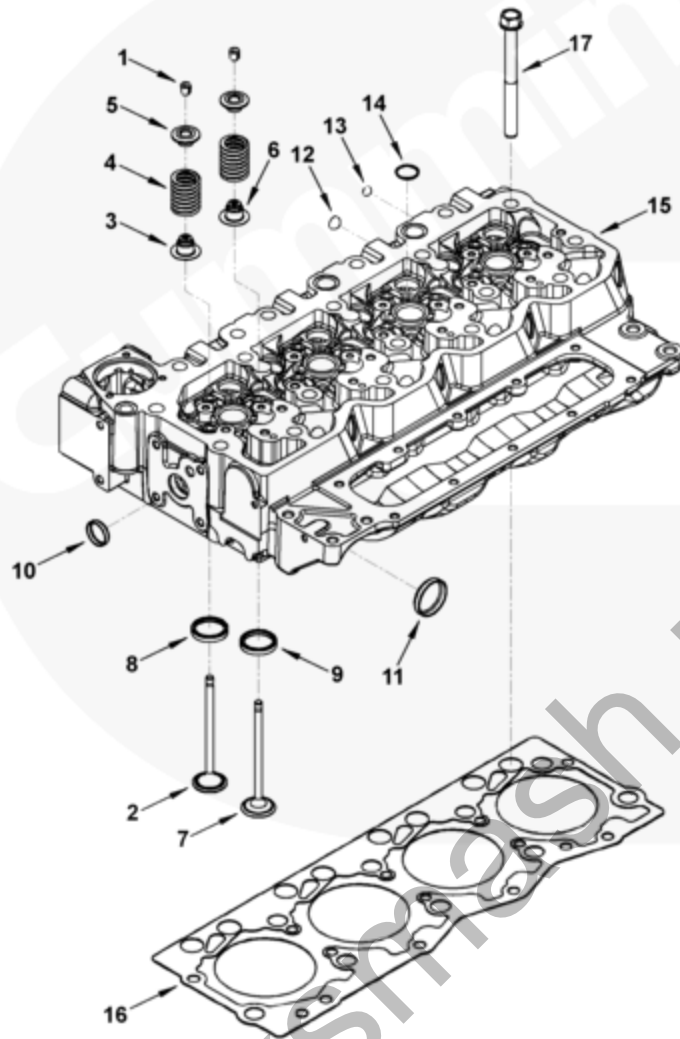




Каталог деталей - Сведения о варианте

Электронный каталог деталей - описание данного варианта				
Доп. устройство	Группа	Рисунок	Карта	Дата
PP8725-01	02.01	pp965gp	T	02-ОCT-06
Двигатели	4B3.9, 6B5.9, B GAS INTERNATIONAL CM556, B4.5, B4.5 CM2350 B129B, B4.5 CM2350 B147B, B4.5 RGT, B4.5S, B5.9 G, B5.9 GAS PLUS CM556, B5.9 LPG, B5.9 LPG PLUS CM556, B6.7 CM2350 B121B, B6.7 CM2350 B135B, B6.7 CM2350 B148B, B6.7 G CMOH6.0 B125, B6.7S, F3.8 CM2350 F120B, F3.8 F102, G3.9, G5.9, G5.9 CM558, ISB (CHRYSLER), ISB CM2150, ISB CM2150 E, ISB CM550, ISB CM850, ISB/ISD4.5 CM2150 B119, ISB/ISD4.5 CM2150 SN, ISB/ISD6.7 CM2150 B120, ISB/ISD6.7 CM2150 SN, ISB/ISD6.7 CM2880 B126, ISB3.9 CM2220 B107, ISB4.5 CM2150, ISB5.9G CM2180, ISB6.7 2010 DCX PICKUP, ISB6.7 2013 DCX CHASSIS CAB, ISB6.7 CM2150 SQ, ISB6.7 CM2250, ISB6.7 CM2350 B101, ISB6.7 CM2350 B103, ISB6.7 CM2350 B142, ISB6.7 G CM2180 B118, ISBE CM2150, ISBE CM800, ISBE2/ISBE3 CM850, ISBE4 CM850, ISD4.5 CM2150, ISD6.7 CM2880 D101, ISF2.8 CM2220, ISF2.8 CM2220 AN, ISF2.8 CM2220 EC, ISF2.8 CM2220 ECF2, ISF2.8 CM2220 F101, ISF2.8 CM2220 F117, ISF2.8 CM2220 F126, ISF2.8 CM2220 F129, ISF2.8 CM2220 IAN, ISF3.8 CM2220, ISF3.8 CM2220 AN, ISF3.8 CM2220 F103, ISF3.8 CM2220 F110, ISF3.8 CM2220 F116, ISF3.8 CM2220 IAN, ISF3.8 CM2350 F109, ISF4.5 CM2220 F123, ISG11 CM2880 G106, ISG11 CM2880 G108, ISG12 CM2880 G107, ISG12 CM2880 G109, ISG12 G CMOH6.0 G111, QSB3.9 30 CM550, QSB3.9 CM2880 B138, QSB4.5 30 CM550, QSB4.5 CM2150 B108, QSB4.5 CM2250 B131, QSB4.5 CM2250 EC, QSB4.5 CM2350 B106, QSB4.5 CM2350 B122, QSB4.5 CM2350 B144, QSB4.5 CM850, QSB5.9 30 CM550, QSB5.9 44 CM550, QSB5.9 CM2880 B115, QSB5.9 CM2880 B139, QSB5.9 CM850, QSB6.7 CM2150 B109, QSB6.7 CM2250			



pp965gp

МАЛЫЙ | СРЕДНИЙ | БОЛЬШОЙ

Cart	Ref No	Part Number	Part Description	Required	Remarks
View My Cart					
		PP8725-01	Головка цилиндров		Cylinder Head
<input type="checkbox"/>		4941496	Головка цилиндров	1	
<input type="checkbox"/>		3802924	Intake Valve Kit	8	
<input type="checkbox"/>	1	3940123	Valve Collet	2	
	2	3940735	Intake Valve	1	
<input type="checkbox"/>	3	3955393	Valve Stem Seal	1	
	4	3943161	Valve Spring	16	
<input type="checkbox"/>	5	3943198	Valve Spring Retainer	16	
<input type="checkbox"/>	6	3955393	Valve Stem Seal	8	
		3802967	Exhaust Valve Kit	8	

<input type="checkbox"/>					
<input type="checkbox"/>	1	3940123	Valve Collet	2	
	7	3940734	Exhaust Valve	1	
<input type="checkbox"/>		4941495	Головка цилиндров	1	
<input type="checkbox"/>	8	3943449	Valve Insert	8	Standard.
<input type="checkbox"/>	9	3943450	Valve Insert	8	Standard.
<input type="checkbox"/>	10	3914035	Expansion Plug	9	
<input type="checkbox"/>	11	3945094	Expansion Plug	1	
<input type="checkbox"/>	12	3945095	Expansion Plug	2	
<input type="checkbox"/>	13	3007632	Expansion Plug	5	
<input type="checkbox"/>	14	3920706	Expansion Plug	7	
<input type="checkbox"/>	15	4941347	Головка цилиндров	1	
<input type="checkbox"/>	16	4932209	Cylinder Head Gasket	1	
<input type="checkbox"/>	17	3927063	Fracture Resistant Screw	18	
<input type="checkbox"/>	8	3939719	Valve Insert	A/R	0.127 mm Oversize.
<input type="checkbox"/>	8	3939720	Valve Insert	A/R	0.254 mm Oversize.
<input type="checkbox"/>	8	3939721	Valve Insert	A/R	0.508 mm Oversize.
<input type="checkbox"/>	9	3939723	Valve Insert	A/R	0.127 mm Oversize.
<input type="checkbox"/>	9	3939724	Valve Insert	A/R	0.254 mm Oversize.
<input type="checkbox"/>	9	3939725	Valve Insert	A/R	0.508 mm Oversize.

© 2017 Cummins Inc., Box 3005, Columbus, IN 47202-3005 U.S.A.
 Условия использования и отказа от ответственности | Рекомендуемые требования к системе
 Need Assistance? Please click on the Contact Us button in the top right corner of any page.