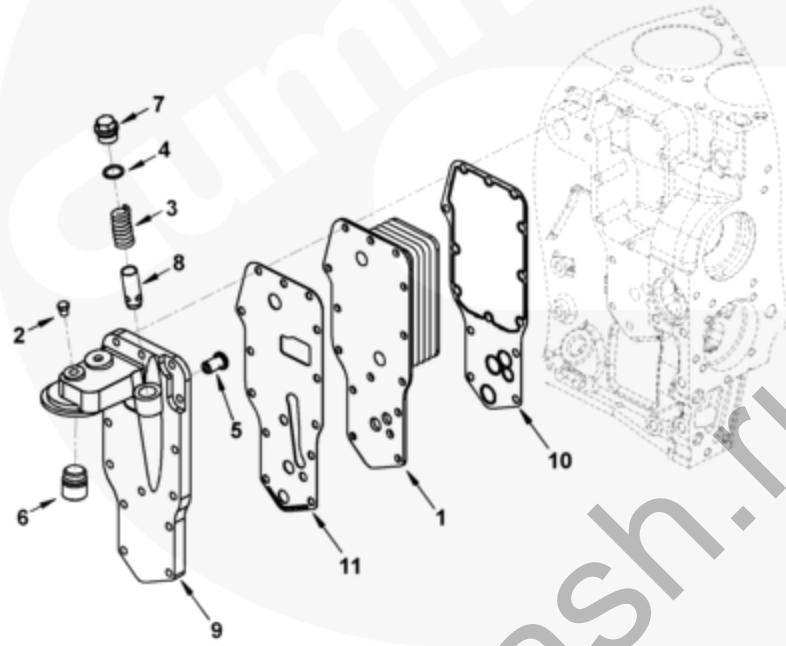




## Каталог деталей - Сведения о варианте

Электронный каталог деталей - описание данного варианта				
Доп. устройство	Группа	Рисунок	Карта	Дата
LC9246	07.05	lc954gk	T	13-JAN-05
<b>Двигатели</b>	4B3.9, 6B5.9, B GAS INTERNATIONAL CM556, B4.5, B4.5 CM2350 B129B, B4.5 CM2350 B147B, B4.5 RGT, B4.5S, B5.9 G, B5.9 GAS PLUS CM556, B5.9 LPG, B5.9 LPG PLUS CM556, B6.7 CM2350 B121B, B6.7 CM2350 B135B, B6.7 CM2350 B148B, B6.7 G CMOH6.0 B125, B6.7S, F3.8 CM2350 F120B, F3.8 F102, G3.9, G5.9, G5.9 CM558, ISB (CHRYSLER), ISB CM2150, ISB CM2150 E, ISB CM550, ISB CM850, ISB/ISD4.5 CM2150 B119, ISB/ISD4.5 CM2150 SN, ISB/ISD6.7 CM2150 B120, ISB/ISD6.7 CM2150 SN, ISB/ISD6.7 CM2880 B126, ISB3.9 CM2220 B107, ISB4.5 CM2150, ISB5.9G CM2180, ISB6.7 2010 DCX PICKUP, ISB6.7 2013 DCX CHASSIS CAB, ISB6.7 CM2150 SQ, ISB6.7 CM2250, ISB6.7 CM2350 B101, ISB6.7 CM2350 B103, ISB6.7 CM2350 B142, ISB6.7 G CM2180 B118, ISBE CM2150, ISBE CM800, ISBE2/ISBE3 CM850, ISBE4 CM850, ISD4.5 CM2150, ISD6.7 CM2880 D101, ISF2.8 CM2220, ISF2.8 CM2220 AN, ISF2.8 CM2220 EC, ISF2.8 CM2220 ECF2, ISF2.8 CM2220 F101, ISF2.8 CM2220 F117, ISF2.8 CM2220 F126, ISF2.8 CM2220 F129, ISF2.8 CM2220 IAN, ISF3.8 CM2220, ISF3.8 CM2220 AN, ISF3.8 CM2220 F103, ISF3.8 CM2220 F110, ISF3.8 CM2220 F116, ISF3.8 CM2220 IAN, ISF3.8 CM2350 F109, ISF4.5 CM2220 F123, ISG11 CM2880 G106, ISG11 CM2880 G108, ISG12 CM2880 G107, ISG12 CM2880 G109, ISG12 G CMOH6.0 G111, QSB3.9 30 CM550, QSB3.9 CM2880 B138, QSB4.5 30 CM550, QSB4.5 CM2150 B108, QSB4.5 CM2250 B131, QSB4.5 CM2250 EC, QSB4.5 CM2350 B106, QSB4.5 CM2350 B122, QSB4.5 CM2350 B144, QSB4.5 CM850, QSB5.9 30 CM550, QSB5.9 44 CM550, QSB5.9 CM2880 B115, QSB5.9 CM2880 B139, QSB5.9 CM850, QSB6.7 CM2150 B109, QSB6.7 CM2250			



lc954gk

МАЛЫЙ | СРЕДНИЙ | БОЛЬШОЙ

Cart	Ref No	Part Number	Part Description	Required	Remarks
View My Cart					
		LC9246	Маслоохладитель моторного масла		Engine Oil Cooler...(More)
					advertised HP restriction:
					Less than or equal to 300 HP
					filter head location: On
					engine aspiration :
					Turbocharged CL
					of engine to CL of Filter
					head(mm): -227.8 FFOB
					to CL of
					filter head (mm): -185.0
					filter thread size provided:

					1 1/8" -16 un -2 a
					Oil Pressure Tap Size: 1/8 -
					27 NPTF lube flow cooling
					capacity(GPM): 20.5 block
					mounting interface: 15-M8 x
					1.25 threaded hole
<input type="checkbox"/>	1	<a href="#">3959031</a>	Cooler Core	1	
		<a href="#">4929539</a>	Lubricating Oil Filter Head	1	
<input type="checkbox"/>	2	<a href="#">3906619</a>	Pipe Plug	2	1/8 NPT.
<input type="checkbox"/>	3	<a href="#">3925009</a>	Compression Spring	1	
<input type="checkbox"/>	4	<a href="#">3929457</a>	O-Ring Seal	1	
<input type="checkbox"/>	5	<a href="#">3936365</a>	Pressure Relief Valve	1	
	6	<a href="#">3942367</a>	Filter Head Adapter	1	
<input type="checkbox"/>	7	<a href="#">3946947</a>	Threaded Plug	1	M22 X 1.50 X 24
<input type="checkbox"/>	8	<a href="#">3947287</a>	Pressure Regulator Plunger	1	
	9	<a href="#">4929540</a>	Lubricating Oil Filter Head	1	
<input type="checkbox"/>	10	<a href="#">2830559</a>	Oil Cooler Core Gasket	1	
<input type="checkbox"/>	11	<a href="#">3974127</a>	Filter Head Gasket	1	
<input type="checkbox"/>		<a href="#">3977913</a>	Oil Cooler Gasket Set	A/R	

© 2017 Cummins Inc., Box 3005, Columbus, IN 47202-3005 U.S.A.

Условия использования и отказа от ответственности | Рекомендуемые требования к системе  
Need Assistance? Please click on the Contact Us button in the top right corner of any page.