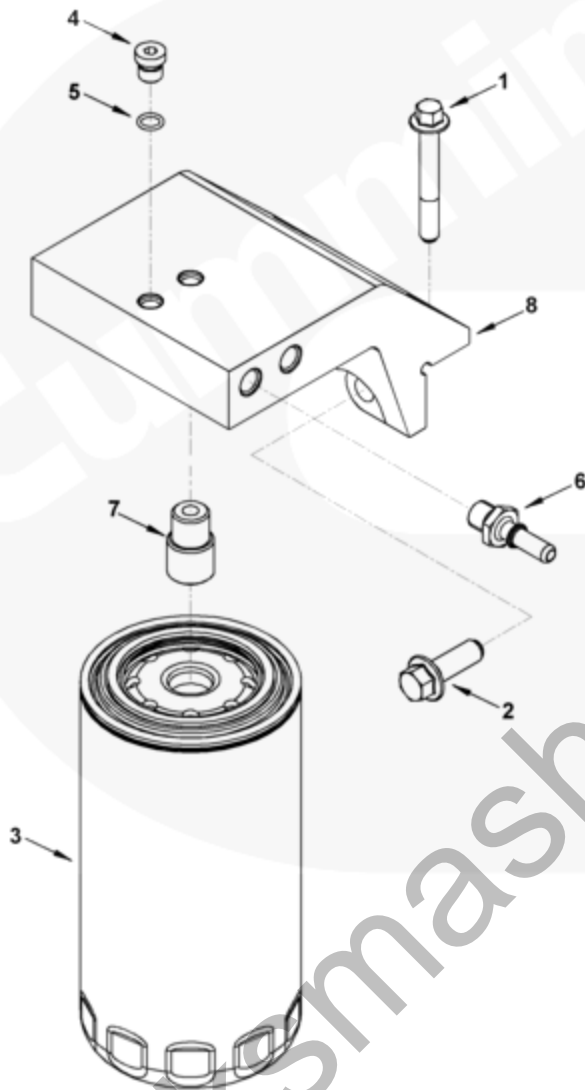




Каталог деталей - Сведения о варианте

Электронный каталог деталей - описание данного варианта				
Доп. устройство	Группа	Рисунок	Карта	Дата
FF9674-05	06.04	ff972gm	T	20-APR-10
Двигатели	4B3.9, 6B5.9, B GAS INTERNATIONAL CM556, B4.5, B4.5 CM2350 B129B, B4.5 CM2350 B147B, B4.5 RGT, B4.5S, B5.9 G, B5.9 GAS PLUS CM556, B5.9 LPG, B5.9 LPG PLUS CM556, B6.7 CM2350 B121B, B6.7 CM2350 B135B, B6.7 CM2350 B148B, B6.7 G CMOH6.0 B125, B6.7S, F3.8 CM2350 F120B, F3.8 F102, G3.9, G5.9, G5.9 CM558, ISB (CHRYSLER), ISB CM2150, ISB CM2150 E, ISB CM550, ISB CM850, ISB/ISD4.5 CM2150 B119, ISB/ISD4.5 CM2150 SN, ISB/ISD6.7 CM2150 B120, ISB/ISD6.7 CM2150 SN, ISB/ISD6.7 CM2880 B126, ISB3.9 CM2220 B107, ISB4.5 CM2150, ISB5.9G CM2180, ISB6.7 2010 DCX PICKUP, ISB6.7 2013 DCX CHASSIS CAB, ISB6.7 CM2150 SQ, ISB6.7 CM2250, ISB6.7 CM2350 B101, ISB6.7 CM2350 B103, ISB6.7 CM2350 B142, ISB6.7 G CM2180 B118, ISBE CM2150, ISBE CM800, ISBE2/ISBE3 CM850, ISBE4 CM850, ISD4.5 CM2150, ISD6.7 CM2880 D101, ISF2.8 CM2220, ISF2.8 CM2220 AN, ISF2.8 CM2220 EC, ISF2.8 CM2220 ECF2, ISF2.8 CM2220 F101, ISF2.8 CM2220 F117, ISF2.8 CM2220 F126, ISF2.8 CM2220 F129, ISF2.8 CM2220 IAN, ISF3.8 CM2220, ISF3.8 CM2220 AN, ISF3.8 CM2220 F103, ISF3.8 CM2220 F110, ISF3.8 CM2220 F116, ISF3.8 CM2220 IAN, ISF3.8 CM2350 F109, ISF4.5 CM2220 F123, ISG11 CM2880 G106, ISG11 CM2880 G108, ISG12 CM2880 G107, ISG12 CM2880 G109, ISG12 G CMOH6.0 G111, QSB3.9 30 CM550, QSB3.9 CM2880 B138, QSB4.5 30 CM550, QSB4.5 CM2150 B108, QSB4.5 CM2250 B131, QSB4.5 CM2250 EC, QSB4.5 CM2350 B106, QSB4.5 CM2350 B122, QSB4.5 CM2350 B144, QSB4.5 CM850, QSB5.9 30 CM550, QSB5.9 44 CM550, QSB5.9 CM2880 B115, QSB5.9 CM2880 B139, QSB5.9 CM850, QSB6.7 CM2150 B109, QSB6.7 CM2250			



ff972gm

МАЛЫЙ | СРЕДНИЙ | БОЛЬШОЙ

Cart	Ref No	Part Number	Part Description	Required	Remarks
View My Cart					
		FF9674-05	Местоположение топливного фильтра		Fuel Filter Location...(More)
					Element Type: Single
					Filter Branded: Cummins
					Element Style: Spin-on
					Drain Provision: No
					Fuel Heater Provided: No
					Fuel Heater Voltage: No
					Water Separator Provision: No
					Location: Engine Mounted
					CCL to top of Canister (mm):
					435

					Engine CL to Canister CL
					(mm): 299
					FFOB to Canister CL (mm):
					-285
					Filter Length (mm): 191
					Filter Diameter (mm): 93.5
					Fuel Filter Fuel Inlet Loc:
					CCL to Inlet CL (mm): 465
					Engine CL to Inlet CL (mm):
					321
					FFOB to Inlet CL (mm): -345
					Fuel Filter Fuel Outlet Loc:
					CCL to Outlet CL (mm): 465
					Engine CL to Outlet CL (mm):
					297
					FFOB to Outlet CL (mm): -345
					Absolute Filtration
					(Microns): 3
					Engine Family: B Series
<input type="checkbox"/>	1	3901446	Hexagon Flange Head Cap Screw	2	M8 X 1.25 X 60.
<input type="checkbox"/>	2	3902460	Hexagon Flange Head Cap Screw	1	M10 X 1.50 X 25.
	3	4989106	Топливный фильтр	1	Buy From Cummins Filtration
<input type="checkbox"/>		4948573	Fuel Filter Head	1	
<input type="checkbox"/>		3678923	Threaded Plug	2	M10 X 1.00 X 13.5
	4	3678924	Threaded Plug	1	M10 X 1.00 X 13.5
<input type="checkbox"/>	5	3678925	O-Ring Seal	1	M10.
<input type="checkbox"/>	6	4943865	Quick Disconnect Connector	2	
<input type="checkbox"/>	7	4898877	Filter Head Adapter	1	Buy From Cummins Filtration
<input type="checkbox"/>	8	4948572	Fuel Filter Head	1	

© 2017 Cummins Inc., Box 3005, Columbus, IN 47202-3005 U.S.A.

Условия использования и отказа от ответственности | Рекомендуемые требования к системе
Need Assistance? Please click on the Contact Us button in the top right corner of any page.