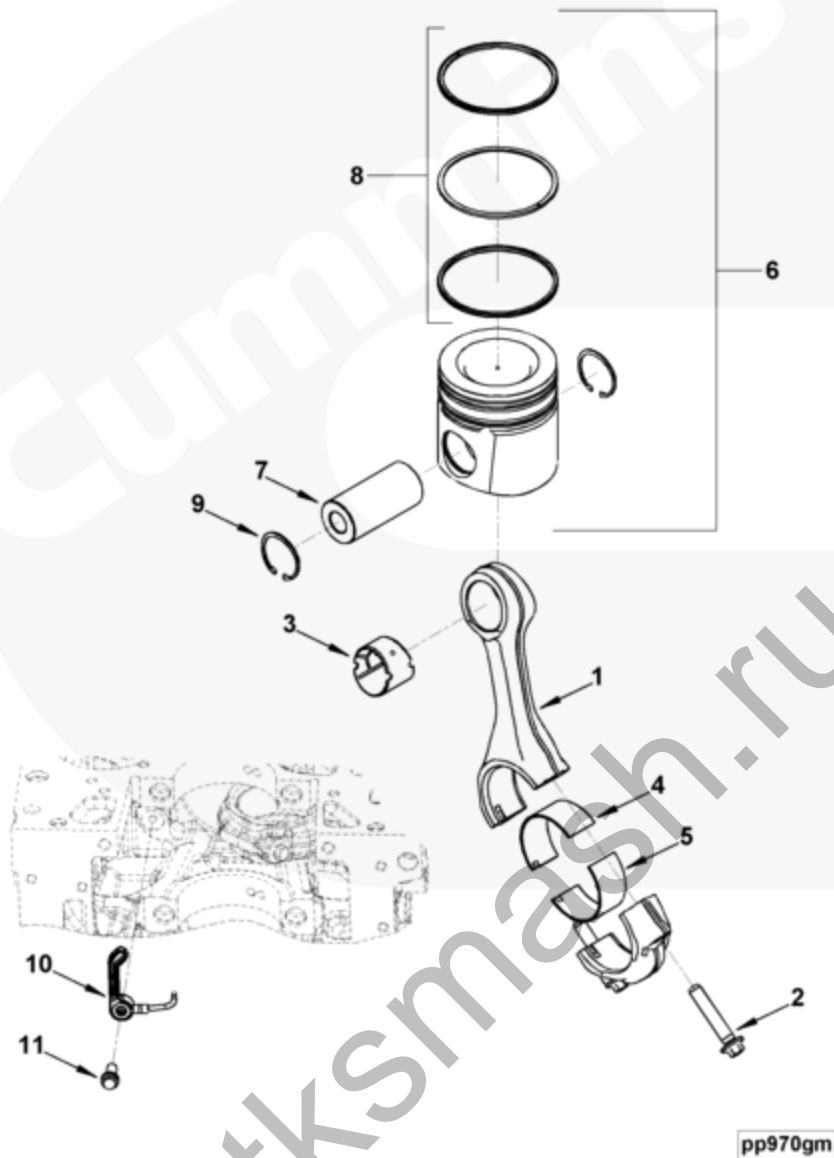




## Каталог деталей - Сведения о варианте

Электронный каталог деталей - описание данного варианта				
Доп. устройство	Группа	Рисунок	Карта	Дата
PP8725-01	01.04	pp970gm	T	12-APR-07
<b>Двигатели</b>	4B3.9, 6B5.9, B GAS INTERNATIONAL CM556, B4.5, B4.5 CM2350 B129B, B4.5 CM2350 B147B, B4.5 RGT, B4.5S, B5.9 G, B5.9 GAS PLUS CM556, B5.9 LPG, B5.9 LPG PLUS CM556, B6.7 CM2350 B121B, B6.7 CM2350 B135B, B6.7 CM2350 B148B, B6.7 G CMOH6.0 B125, B6.7S, F3.8 CM2350 F120B, F3.8 F102, G3.9, G5.9, G5.9 CM558, ISB (CHRYSLER), ISB CM2150, ISB CM2150 E, ISB CM550, ISB CM850, ISB/ISD4.5 CM2150 B119, ISB/ISD4.5 CM2150 SN, ISB/ISD6.7 CM2150 B120, ISB/ISD6.7 CM2150 SN, ISB/ISD6.7 CM2880 B126, ISB3.9 CM2220 B107, ISB4.5 CM2150, ISB5.9G CM2180, ISB6.7 2010 DCX PICKUP, ISB6.7 2013 DCX CHASSIS CAB, ISB6.7 CM2150 SQ, ISB6.7 CM2250, ISB6.7 CM2350 B101, ISB6.7 CM2350 B103, ISB6.7 CM2350 B142, ISB6.7 G CM2180 B118, ISBE CM2150, ISBE CM800, ISBE2/ISBE3 CM850, ISBE4 CM850, ISD4.5 CM2150, ISD6.7 CM2880 D101, ISF2.8 CM2220, ISF2.8 CM2220 AN, ISF2.8 CM2220 EC, ISF2.8 CM2220 ECF2, ISF2.8 CM2220 F101, ISF2.8 CM2220 F117, ISF2.8 CM2220 F126, ISF2.8 CM2220 F129, ISF2.8 CM2220 IAN, ISF3.8 CM2220, ISF3.8 CM2220 AN, ISF3.8 CM2220 F103, ISF3.8 CM2220 F110, ISF3.8 CM2220 F116, ISF3.8 CM2220 IAN, ISF3.8 CM2350 F109, ISF4.5 CM2220 F123, ISG11 CM2880 G106, ISG11 CM2880 G108, ISG12 CM2880 G107, ISG12 CM2880 G109, ISG12 G CMOH6.0 G111, QSB3.9 30 CM550, QSB3.9 CM2880 B138, QSB4.5 30 CM550, QSB4.5 CM2150 B108, QSB4.5 CM2250 B131, QSB4.5 CM2250 EC, QSB4.5 CM2350 B106, QSB4.5 CM2350 B122, QSB4.5 CM2350 B144, QSB4.5 CM850, QSB5.9 30 CM550, QSB5.9 44 CM550, QSB5.9 CM2880 B115, QSB5.9 CM2880 B139, QSB5.9 CM850, QSB6.7 CM2150 B109, QSB6.7 CM2250			



МАЛЫЙ | СРЕДНИЙ | БОЛЬШОЙ

Cart	Ref No	Part Number	Part Description	Required	Remarks
<a href="#">View My Cart</a>					
		<a href="#">PP8725-01</a>	Шатун и поршень		Connecting Rod and Piston
		<a href="#">4891176</a>	Engine Connecting Rod	4	
	1	<a href="#">4891177</a>	Engine Connecting Rod	1	
<input type="checkbox"/>	2	<a href="#">4891179</a>	Connecting Rod Cap Screw	2	
<input type="checkbox"/>	3	<a href="#">4891178</a>	Втулка	1	
<input type="checkbox"/>	4	<a href="#">3969562</a>	Connecting Rod Bearing	4	Standard.
<input type="checkbox"/>	5	<a href="#">4893693</a>	Connecting Rod Bearing	4	Standard.
<input type="checkbox"/>	6	<a href="#">4955160</a>	Engine Piston Kit	4	Standard.
		<a href="#">4934860</a>	Поршень двигателя	1	
	7	<a href="#">4931041</a>	Piston Pin	1	

<input type="checkbox"/>					
<input type="checkbox"/>	8	4955169	Piston Ring Set	1	
<input type="checkbox"/>	9	3920691	Retaining Ring	8	
<input type="checkbox"/>	10	4937308	Сопло охлаждения поршня	4	
<input type="checkbox"/>	11	3964817	Banjo Connector Screw	4	
<input type="checkbox"/>	6	4955481	Kit , Engine Piston . 50 Mm	A/R	0.50 mm Oversize
		4934816	Поршень двигателя	1	
<input type="checkbox"/>	8	4955480	Set , Piston Ring . 50 Mm	1	0.50 mm Oversize
<input type="checkbox"/>	4	4932375	Connecting Rod Bearing	A/R	0.25 mm Oversize.
<input type="checkbox"/>	4	4932376	Connecting Rod Bearing	A/R	0.50 mm Oversize.
<input type="checkbox"/>	4	4932377	Connecting Rod Bearing	A/R	0.75 mm Oversize.
<input type="checkbox"/>	4	4932378	Connecting Rod Bearing	A/R	1.00 mm Oversize.
<input type="checkbox"/>	5	4892795	Connecting Rod Bearing	A/R	0.25 mm Oversize.
<input type="checkbox"/>	5	4892796	Connecting Rod Bearing	A/R	0.50 mm Oversize.
<input type="checkbox"/>	5	4892797	Connecting Rod Bearing	A/R	0.75 mm Oversize.
<input type="checkbox"/>	5	4892798	Connecting Rod Bearing	A/R	1.00 mm Oversize.

© 2017 Cummins Inc., Box 3005, Columbus, IN 47202-3005 U.S.A.

Условия использования и отказа от ответственности | Рекомендуемые требования к системе  
Need Assistance? Please click on the Contact Us button in the top right corner of any page.