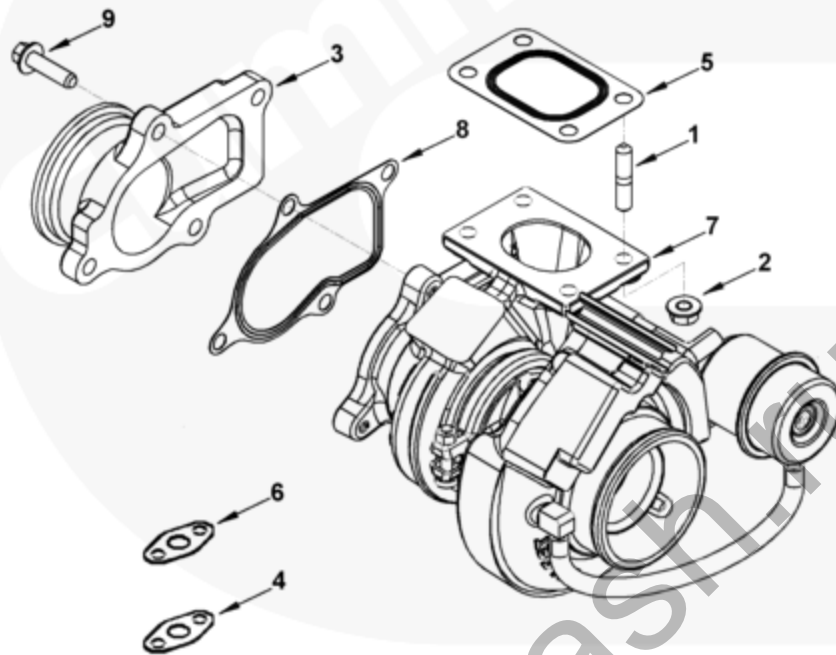




Каталог деталей - Сведения о варианте

Электронный каталог деталей - описание данного варианта				
Доп. устройство	Группа	Рисунок	Карта	Дата
PP98866	10.05	pp982gw	T	19-JUN-14
Двигатели	4B3.9, 6B5.9, B GAS INTERNATIONAL CM556, B4.5, B4.5 CM2350 B129B, B4.5 CM2350 B147B, B4.5 RGT, B4.5S, B5.9 G, B5.9 GAS PLUS CM556, B5.9 LPG, B5.9 LPG PLUS CM556, B6.7 CM2350 B121B, B6.7 CM2350 B135B, B6.7 CM2350 B148B, B6.7 G CMOH6.0 B125, B6.7S, F3.8 CM2350 F120B, F3.8 F102, G3.9, G5.9, G5.9 CM558, ISB (CHRYSLER), ISB CM2150, ISB CM2150 E, ISB CM550, ISB CM850, ISB/ISD4.5 CM2150 B119, ISB/ISD4.5 CM2150 SN, ISB/ISD6.7 CM2150 B120, ISB/ISD6.7 CM2150 SN, ISB/ISD6.7 CM2880 B126, ISB3.9 CM2220 B107, ISB4.5 CM2150, ISB5.9G CM2180, ISB6.7 2010 DCX PICKUP, ISB6.7 2013 DCX CHASSIS CAB, ISB6.7 CM2150 SQ, ISB6.7 CM2250, ISB6.7 CM2350 B101, ISB6.7 CM2350 B103, ISB6.7 CM2350 B142, ISB6.7 G CM2180 B118, ISBE CM2150, ISBE CM800, ISBE2/ISBE3 CM850, ISBE4 CM850, ISD4.5 CM2150, ISD6.7 CM2880 D101, ISF2.8 CM2220, ISF2.8 CM2220 AN, ISF2.8 CM2220 EC, ISF2.8 CM2220 ECF2, ISF2.8 CM2220 F101, ISF2.8 CM2220 F117, ISF2.8 CM2220 F126, ISF2.8 CM2220 F129, ISF2.8 CM2220 IAN, ISF3.8 CM2220, ISF3.8 CM2220 AN, ISF3.8 CM2220 F103, ISF3.8 CM2220 F110, ISF3.8 CM2220 F116, ISF3.8 CM2220 IAN, ISF3.8 CM2350 F109, ISF4.5 CM2220 F123, ISG11 CM2880 G106, ISG11 CM2880 G108, ISG12 CM2880 G107, ISG12 CM2880 G109, ISG12 G CMOH6.0 G111, QSB3.9 30 CM550, QSB3.9 CM2880 B138, QSB4.5 30 CM550, QSB4.5 CM2150 B108, QSB4.5 CM2250 B131, QSB4.5 CM2250 EC, QSB4.5 CM2350 B106, QSB4.5 CM2350 B122, QSB4.5 CM2350 B144, QSB4.5 CM850, QSB5.9 30 CM550, QSB5.9 44 CM550, QSB5.9 CM2880 B115, QSB5.9 CM2880 B139, QSB5.9 CM850, QSB6.7 CM2150 B109, QSB6.7 CM2250			



pp982gw

МАЛЫЙ | СРЕДНИЙ | БОЛЬШОЙ

Cart	Ref No	Part Number	Part Description	Required	Remarks
View My Cart					
		PP98866	Турбокомпрессор		Turbocharger...(More)
					Engine Cylinders: 4
					Engine Family: "B" Series
					engine design phase: Tier 3
					b
					Exhaust Outlet Location:
					HMFO x= -194 y= 550 z= -86
					base ID17 turbocharger:
					4040552
					Turbocharger Type: Wastegate
					wastegate pressure setting

					(BAR): 2.4
					Turbocharger model: HE221 w
					fixed compressor outlet
					orientation (deg) 165
					compressor angle (shipping
					(deg): 0 wheel: Mfs.
<input type="checkbox"/>	1	3934178	Double End Plain Stud	4	
<input type="checkbox"/>	2	3929777	Hexagon Flange Nut	4	M8 X 1.25.
<input type="checkbox"/>	3	3978390	Выпускной патрубок	1	
<input type="checkbox"/>		4955272	Turbocharger Kit	1	
<input type="checkbox"/>	4	3819900	Turbocharger Gasket	1	
<input type="checkbox"/>	5	3932475	Turbocharger Gasket	1	
<input type="checkbox"/>	6	5264571	Oil Drain Gasket	1	Same As 3934638, No Adhesive.
	7	4040552	Турбокомпрессор	1	
<input type="checkbox"/>	8	4896254	Exhaust Outlet Connection Gasket	1	
	9	4898482	Hexagon Flange Head Cap Screw	4	M8 X 1.25 X 30.

© 2017 Cummins Inc., Box 3005, Columbus, IN 47202-3005 U.S.A.

Условия использования и отказа от ответственности | Рекомендуемые требования к системе
Need Assistance? Please click on the Contact Us button in the top right corner of any page.