

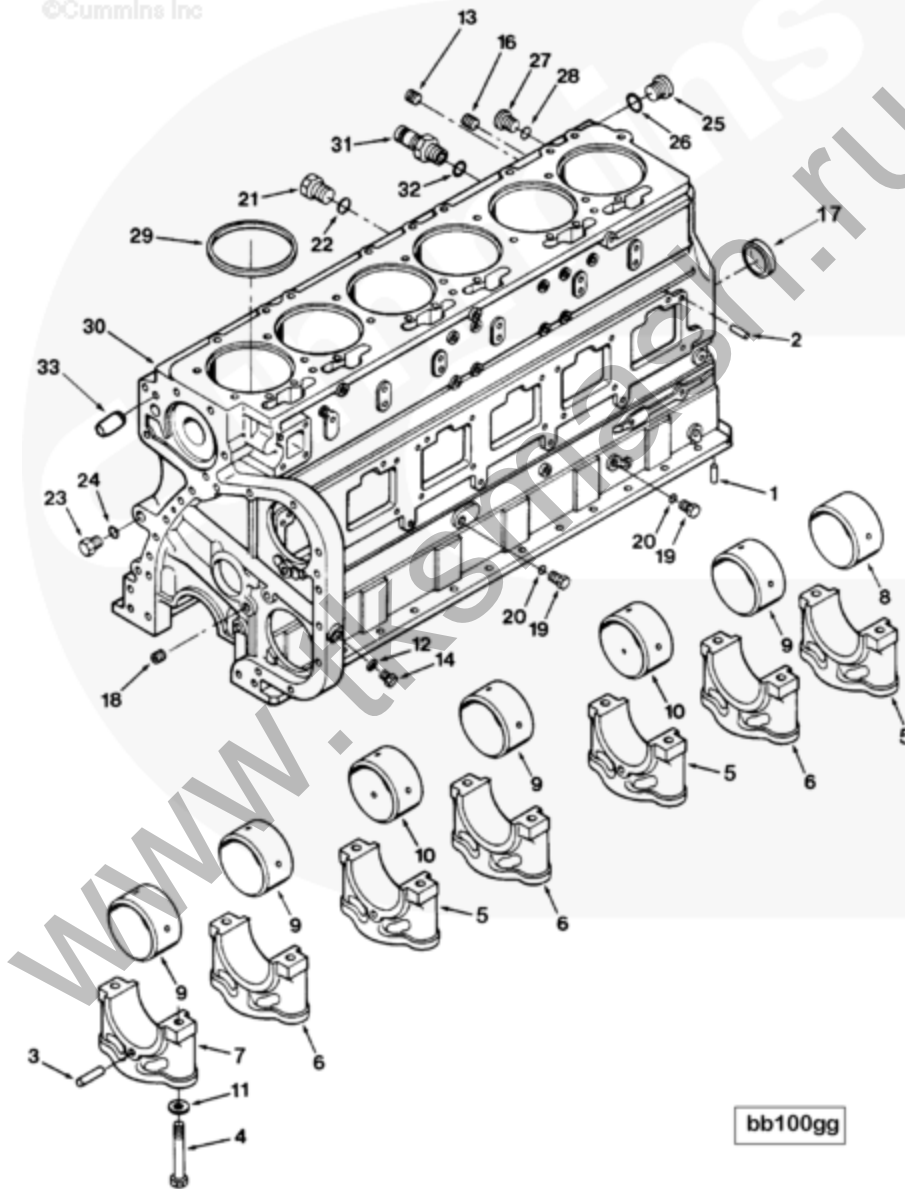


Каталог деталей - Сведения о варианте

Электронный каталог деталей - описание данного варианта

Доп. устройство	Группа	Рисунок	Карта	Дата
BB1718-02	01.01	bb100gg	FF	02-APR-01
Двигатели	G855, G855 CM558, GTA855 CM558 (CM2358) G101, N14 CELECT, N14 CELECT PLUS, N14 MECHANICAL, QSN14 CM876 N103, QSN14 CM876 N105, QSNT14 CM876 N102			

©Cummins Inc



[МАЛЫЙ](#) | [СРЕДНИЙ](#) | [БОЛЬШОЙ](#)

Cart	Ref No	Part Number	Part Description	Required	Remarks
View My Cart					
		BB1718-02	Блок цилиндров		Engine block includes...(More)
					cylinder block, liners,
					crankshaft, HCR spur

					crankshaft gear, bearings,
					and associated block hardware
					for use with non-targeted
					piston cooling nozzles. Suits
					direct mounted "combo" filter
					setups. For use with engine
					heater.
<input type="checkbox"/>		3803718	Блок цилиндров	1	Recon Equivalent 3803718 NX
<input type="checkbox"/>	1	67211	Pin Dowel	2	
<input type="checkbox"/>	2	68585	Pin Dowel	6	
<input type="checkbox"/>	3	202903	Roll Pin	2	
<input type="checkbox"/>	4	3411337	Hexagon Head Cap Screw	14	
<input type="checkbox"/>	5	3008047	Main Bearing Cap	3	
<input type="checkbox"/>	6	3008048	Main Bearing Cap	3	
<input type="checkbox"/>	7	3008049	Main Bearing Cap	1	
<input type="checkbox"/>	8	3011951	Втулка	1	
<input type="checkbox"/>	9	3028075	Втулка	4	
<input type="checkbox"/>	10	3028269	Втулка	2	
<input type="checkbox"/>	11	3046246	Plain Washer	14	3/4 Inch.
<input type="checkbox"/>	12	66292	Plain Washer	1	7/8 in.
<input type="checkbox"/>	13	69901	Pipe Plug	4	1/8 NPT.
<input type="checkbox"/>	14	210884	Threaded Plug	1	7/8 - 18 UNS
<input type="checkbox"/>	16	3008468	Pipe Plug	1	1/2 NPT.
<input type="checkbox"/>	17	3011952	Expansion Plug	1	
<input type="checkbox"/>	18	3013786	Pipe Plug	3	3/8 NPT.
<input type="checkbox"/>	19	3037536	Threaded Plug	4	9/16 - 18 UNF
<input type="checkbox"/>	20	3037537	O-Ring Seal	7	
<input type="checkbox"/>	21	3040818	Threaded Plug	1	1 3/16 - 12 UN
<input type="checkbox"/>	22	3035228	O-Ring Seal	1	
<input type="checkbox"/>	23	3046202	Threaded Plug	3	3/4 - 16 UNF.
<input type="checkbox"/>	24	3046201	O-Ring Seal	3	

<input type="checkbox"/>	25	3066323	Threaded Plug	1	1 5/8 - 12 un.
<input type="checkbox"/>	26	3063166	O-Ring Seal	1	
<input type="checkbox"/>	27	3071181	Threaded Plug	1	3/8 - 24 UNF.
<input type="checkbox"/>	28	3034412	O-Ring Seal	1	
<input type="checkbox"/>	29	3054948	Liner Seal Ring	6	
<input type="checkbox"/>	29	3054947	Liner Seal Ring	A/R	
<input type="checkbox"/>	29	3054949	Liner Seal Ring	A/R	
<input type="checkbox"/>	29	3019959	Liner Seal Ring	A/R	
<input type="checkbox"/>	29	3019960	Liner Seal Ring	A/R	
	30	3081280	Блок цилиндров	1	
<input type="checkbox"/>	31	3042619	Coupling Nipple	1	
<input type="checkbox"/>	32	3037537	O-Ring Seal	1	
<input type="checkbox"/>	33	3070475	Roll Pin	1	
<input type="checkbox"/>		3801106	Camshaft Bushing Kit	1	
		3800219	Kit , Pdc Cam Shaft Bushing	1	
<input type="checkbox"/>		3011951	Втулка	1	
<input type="checkbox"/>		3028075	Втулка	4	
<input type="checkbox"/>		3028269	Втулка	2	

© 2017 Cummins Inc., Box 3005, Columbus, IN 47202-3005 U.S.A.

Условия использования и отказа от ответственности | Рекомендуемые требования к системе
Need Assistance? Please click on the Contact Us button in the top right corner of any page.