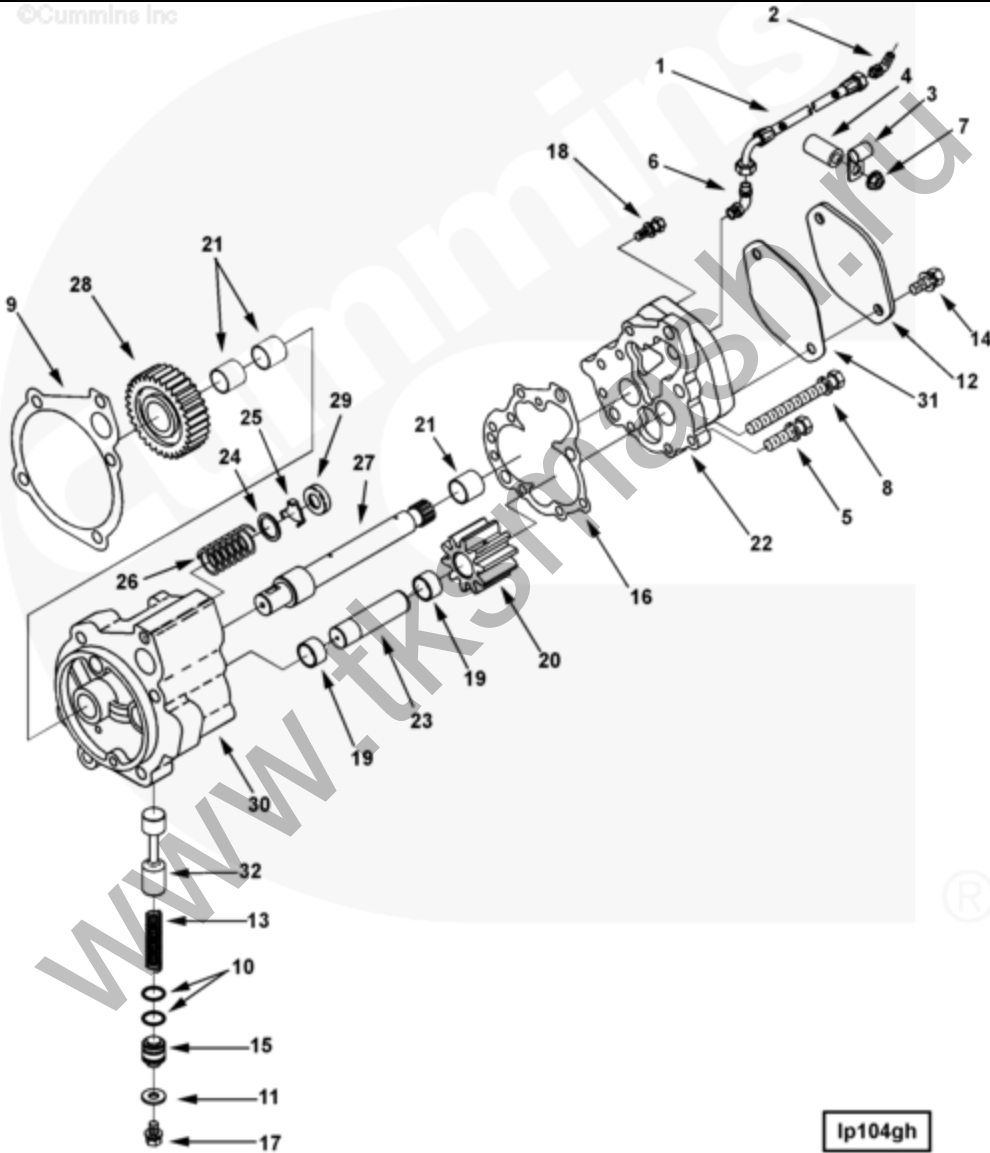




## Каталог деталей - Сведения о варианте

Электронный каталог деталей - описание данного варианта				
Доп. устройство	Группа	Рисунок	Карта	Дата
LP1717-06	07.06	lp104gh	FF	19-JAN-02
Двигатели	G855, G855 CM558, GTA855 CM558 (CM2358) G101, N14 CELECT, N14 CELECT PLUS, N14 MECHANICAL, QSN14 CM876 N103, QSN14 CM876 N105, QSNT14 CM876 N102			



МАЛЫЙ | СРЕДНИЙ | БОЛЬШОЙ

lp104gh

Cart	Ref No	Part Number	Part Description	Required	Remarks
<a href="#">View My Cart</a>					
		LP1717-06	Масляный насос		
					Lubricating oil pump and
					mounting with oil

					Temperature sensor for use on
					Select engines.
					Includes spur gear.
					Drive shaft with 13 tooth
					spline for SAE B drive and
					oil pressure sensing hose
					for SAE B drive clearance.
<input type="checkbox"/>	1	<a href="#">AS 4024 SL</a>	Flexible Hose	1	
<input type="checkbox"/>	2	<a href="#">68139</a>	Male Adapter Elbow	1	1/8 NPTF X 7/16 - 20 (90).
<input type="checkbox"/>	3	<a href="#">68152</a>	Хомут	1	# 4
<input type="checkbox"/>	4	<a href="#">60724</a>	Mounting Spacer	1	
<input type="checkbox"/>	5	<a href="#">3034526</a>	Captive Washer Cap Screw	3	7/16 - 20 X 1 3/4 Inch.
<input type="checkbox"/>	6	<a href="#">3037662</a>	Male Union Elbow	1	
<input type="checkbox"/>	7	<a href="#">3063556</a>	Hexagon Flange Nut	1	5/16 - 18 UNC
<input type="checkbox"/>	8	<a href="#">3067461</a>	Captive Washer Cap Screw	2	7/16 - 20 X 4 1/2 Inch.
<input type="checkbox"/>	9	<a href="#">3067613</a>	Lubricating Oil Pump Gasket	1	
		<a href="#">3085379</a>	Масляный насос	1	
<input type="checkbox"/>	10	<a href="#">145504</a>	O-Ring Seal	2	
<input type="checkbox"/>	11	<a href="#">146161</a>	Plain Washer	1	3/8 in.
<input type="checkbox"/>	12	<a href="#">204048</a>	Cover Plate	1	
<input type="checkbox"/>	13	<a href="#">3010146</a>	Compression Spring	1	
<input type="checkbox"/>	14	<a href="#">3010595</a>	Captive Washer Cap Screw	2	3/8 - 16 X 1 in.
<input type="checkbox"/>	15	<a href="#">3012726</a>	Retainer Plug	1	
<input type="checkbox"/>	16	<a href="#">3014778</a>	Lubricating Oil Pump Cover Gasket	1	
<input type="checkbox"/>	17	<a href="#">3022589</a>	Captive Washer Cap Screw	1	5/16 - 18 X 5/8 in.
<input type="checkbox"/>	18	<a href="#">3022590</a>	Captive Washer Cap Screw	7	5/16 - 18 x 1 inch
<input type="checkbox"/>		<a href="#">3045622</a>	Lubricating Oil Pump Gear	1	
<input type="checkbox"/>	19	<a href="#">68365</a>	Втулка	2	
	20	<a href="#">3045618</a>	Lubricating Oil Pump Gear	1	
<input type="checkbox"/>		<a href="#">3068461</a>	Lubricating Oil Pump Cover	1	
<input type="checkbox"/>	21	<a href="#">69521</a>	Втулка	2	
	22	<a href="#">3068459</a>	Lubricating Oil Pump Cover	1	

		3085378	Масляный насос	1	
<input type="checkbox"/>	23	3012531	Idler Shaft	1	
<input type="checkbox"/>	24	3014754	Plain Washer	1	3/4 Inch.
<input type="checkbox"/>	25	3014755	Valve Disc	1	
<input type="checkbox"/>	26	3014756	Compression Spring	1	
<input type="checkbox"/>	27	3078385	Lubricating Oil Pump Drive Shaft	1	
<input type="checkbox"/>	28	3078386	Lubricating Oil Pump Gear	1	
<input type="checkbox"/>	29	3412892	Retainer Plug	1	
<input type="checkbox"/>		3865155	Lubricating Oil Pump Body	1	
<input type="checkbox"/>	21	69521	Втулка	2	
	30	3865156	Lubricating Oil Pump Body	1	
<input type="checkbox"/>	31	3166307	Hydraulic Pump Gasket	1	
<input type="checkbox"/>	32	3884126	Pressure Regulator Plunger	1	

© 2017 Cummins Inc., Box 3005, Columbus, IN 47202-3005 U.S.A.  
 Условия использования и отказа от ответственности | Рекомендуемые требования к системе  
 Need Assistance? Please click on the Contact Us button in the top right corner of any page.