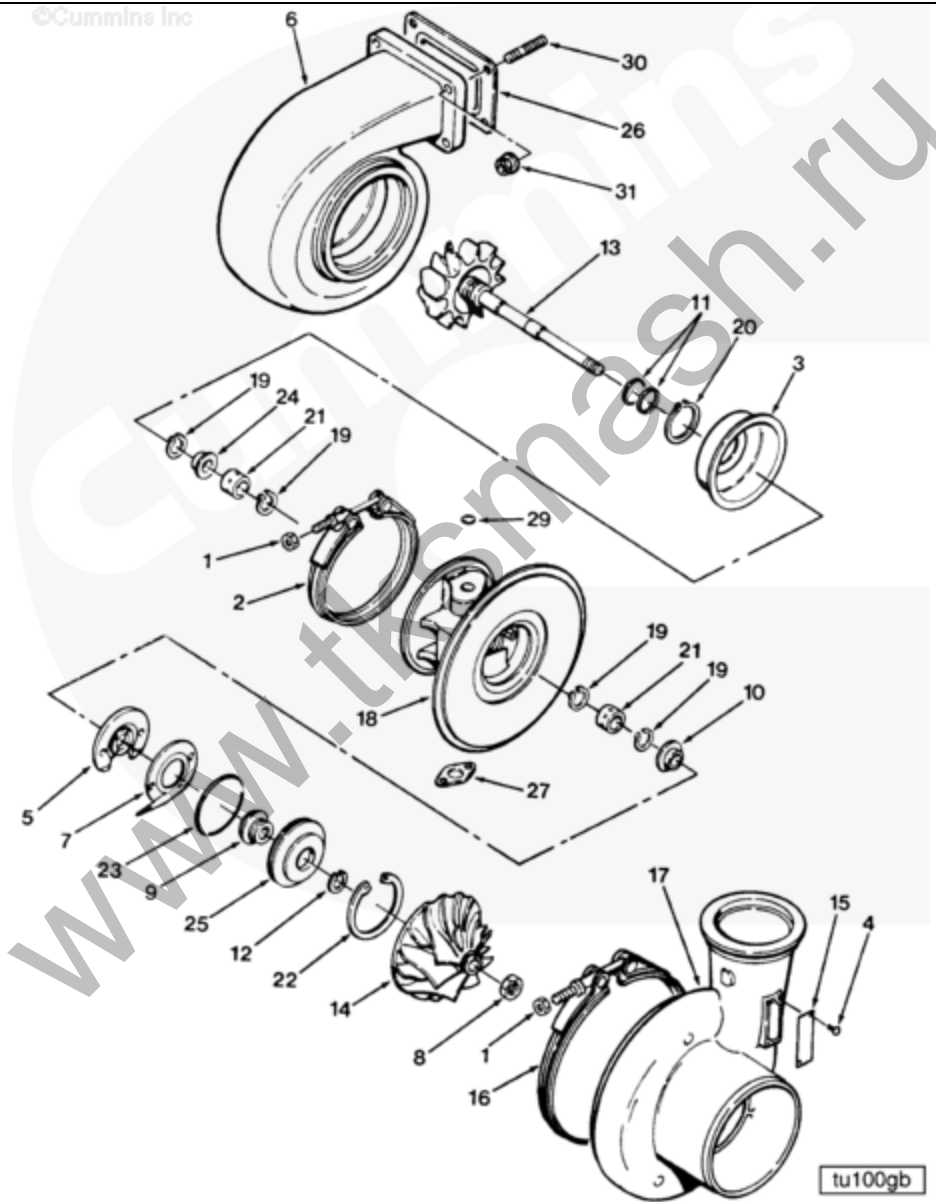




Каталог деталей - Сведения о варианте

Электронный каталог деталей - описание данного варианта				
Доп. устройство	Группа	Рисунок	Карта	Дата
PP10088-06	10.06	tu100gb	FF	12-AUG-00
Двигатели	G855, G855 CM558, GTA855 CM558 (CM2358) G101, N14 CELECT, N14 CELECT PLUS, N14 MECHANICAL, QSN14 CM876 N103, QSN14 CM876 N105, QSNT14 CM876 N102			



МАЛЫЙ | СРЕДНИЙ | БОЛЬШОЙ

Cart	Ref No	Part Number	Part Description	Required	Remarks
View My Cart					
		PP10088-06	Турбокомпрессор		HT60-N0881A/H36K1 Turbo for... (More)
					use on Industrial N14 engines

					360-480 HP. Non-watercooled
					bearing housing. CPL: 1921,
					2287, 2403.
<input type="checkbox"/>		3804565	Turbocharger Kit	1	Recon equivalent 3804565 RX
		3536803	Турбокомпрессор	1	
<input type="checkbox"/>		3804924	Kit , V-Band Clamp		For All HT60 Turbochargers
<input type="checkbox"/>	1	3529372	Regular Hexagon Nut	1	1/4 - 28 UNF
<input type="checkbox"/>	2	3539458	V Band Clamp	1	For All HT60 Turbochargers
<input type="checkbox"/>	3	3519155	Turbocharger Heat Shield	1	
<input type="checkbox"/>	4	3519163	Drive Screw	4	
<input type="checkbox"/>	5	3536075	Turbocharger Thrust Bearing	1	
<input type="checkbox"/>	6	3536998	Turbine Housing	1	
<input type="checkbox"/>	7	3529658	Oil Baffle	1	
<input type="checkbox"/>	8	3519471	Lock Nut	1	7/16 - 20 UNF
<input type="checkbox"/>	9	3521439	Oil Slinger	1	
<input type="checkbox"/>	10	3521440	Thrust Collar	1	
<input type="checkbox"/>	11	3521441	Split Ring Seal	2	
<input type="checkbox"/>	12	3521442	Split Ring Seal	1	
<input type="checkbox"/>	13	3594952	Shaft Wheel Rotor	1	
<input type="checkbox"/>	14	3527047	Turbocharger Compressor Impeller	1	
	15	3527907	Паспортная табличка	1	
<input type="checkbox"/>	16	3532045	V Band Clamp	1	
	17	3536324	Турбокомпрессор		
<input type="checkbox"/>	18	3536096	Turbocharger Bearing Housing	1	
<input type="checkbox"/>	19	3709510	Retaining Ring	4	
<input type="checkbox"/>	20	3718373	Retaining Ring	1	
<input type="checkbox"/>	21	3722366	Turbocharger Bearing	2	
<input type="checkbox"/>	22	3723863	Retaining Ring	1	
<input type="checkbox"/>	23	3751948	O-Ring Seal	1	
<input type="checkbox"/>	24	3757753	Oil Control Sleeve	1	
<input type="checkbox"/>	25	3759618	Oil Seal Plate	1	
	26	3069177	Turbocharger Gasket	1	

<input type="checkbox"/>					
<input type="checkbox"/>	27	3202117	Connection Gasket	1	
<input type="checkbox"/>	29	3037537	O-Ring Seal	1	
<input type="checkbox"/>	30	3056155	Double End Plain Stud	4	
<input type="checkbox"/>	31	3056158	Hexagon Flange Nut	4	3/8 - 24 UNF
<input type="checkbox"/>		3803745	Turbocharger Repair Kit	1	
<input type="checkbox"/>	29	3037537	O-Ring Seal	1	
<input type="checkbox"/>	26	3069177	Turbocharger Gasket	1	
<input type="checkbox"/>	27	3202117	Connection Gasket	1	
<input type="checkbox"/>	2	3539458	V Band Clamp	1	For All HT60 Turbochargers
<input type="checkbox"/>	11	3521441	Split Ring Seal	1	
<input type="checkbox"/>	12	3521442	Split Ring Seal	1	
<input type="checkbox"/>	1	3529372	Regular Hexagon Nut	2	1/4 - 28 UNF
<input type="checkbox"/>	16	3532045	V Band Clamp	1	
<input type="checkbox"/>	5	3536075	Turbocharger Thrust Bearing	1	
<input type="checkbox"/>	19	3709510	Retaining Ring	4	
<input type="checkbox"/>	20	3718373	Retaining Ring	1	
<input type="checkbox"/>	21	3722366	Turbocharger Bearing	2	
<input type="checkbox"/>	22	3723863	Retaining Ring	1	
<input type="checkbox"/>	23	3751948	O-Ring Seal	1	
<input type="checkbox"/>	24	3757753	Oil Control Sleeve	1	

© 2017 Cummins Inc., Box 3005, Columbus, IN 47202-3005 U.S.A.

Условия использования и отказа от ответственности | Рекомендуемые требования к системе
Need Assistance? Please click on the Contact Us button in the top right corner of any page.