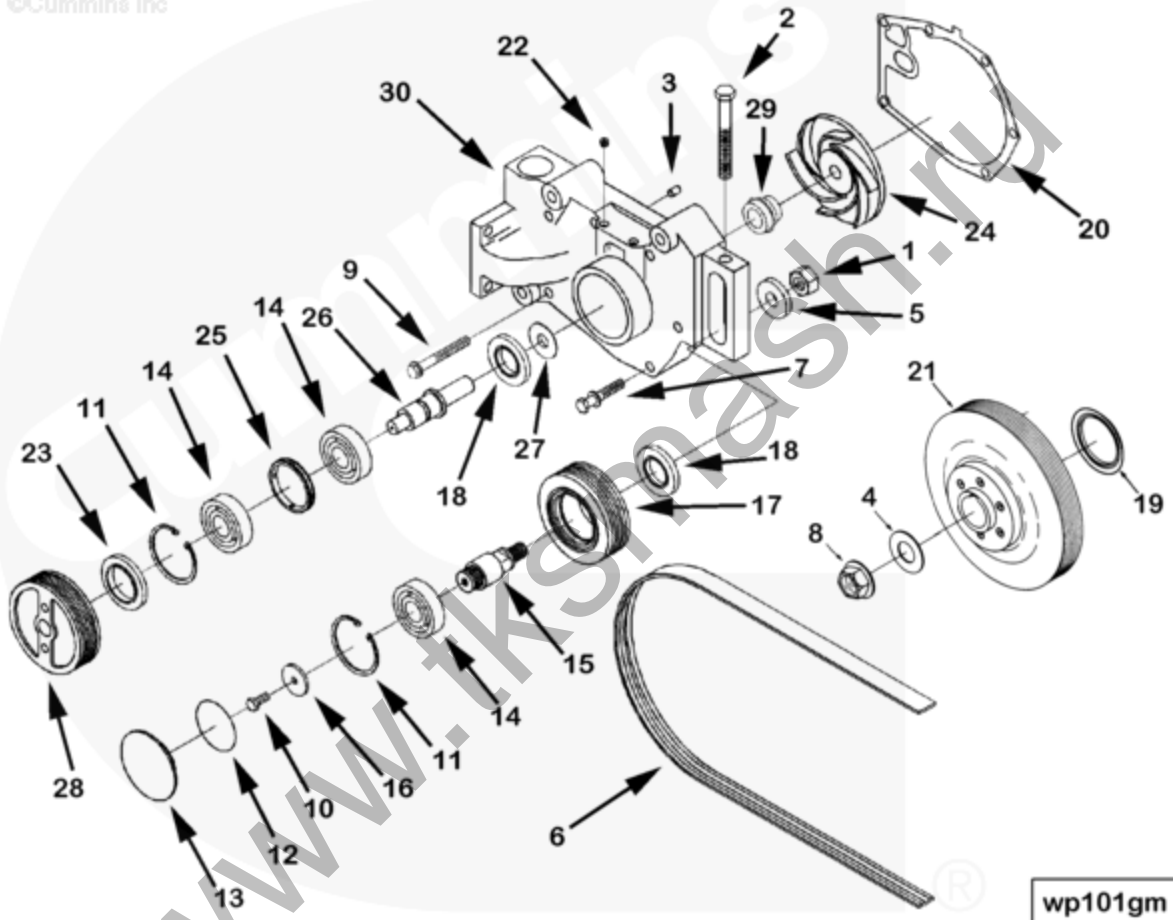




Каталог деталей - Сведения о варианте

Электронный каталог деталей - описание данного варианта				
Доп. устройство	Группа	Рисунок	Карта	Дата
WP1717-03	08.01	wp101gm	FF	26-APR-00
Двигатели	G855, G855 CM558, GTA855 CM558 (CM2358) G101, N14 CELECT, N14 CELECT PLUS, N14 MECHANICAL, QSN14 CM876 N103, QSN14 CM876 N105, QSNT14 CM876 N102			

©Cummins Inc



МАЛЫЙ | СРЕДНИЙ | БОЛЬШОЙ

Cart	Ref No	Part Number	Part Description	Required	Remarks
View My Cart					
		WP1717-03	Водяной насос		Water pump and mounting... (More)
					Idler pulley and mounting.
					Water pump drive pulley and
					mounting. Drive pulley groove
					type: Poly V, 6 Rib, K
					section. Pulley diameter:

					8.98 inches (228.09 MM).
					Pulley operates at engine
					speed and rotates same
					direction as the crankshaft.
					2:05:01 speed ratio. Timing
					marks located for Select.
					Water pump includes an
					additional mounting boss for
					fan bracket.
<input type="checkbox"/>	1	S 201	Heavy Hexagon Nut	1	5/8 - 11 UNC.
<input type="checkbox"/>	2	66912 1 B	Hexagon Head Cap Screw	1	
<input type="checkbox"/>	3	70550	Pin Dowel	1	
<input type="checkbox"/>	4	193136	Plain Washer	1	1 3/4 in.
<input type="checkbox"/>	5	213082	Plain Washer	1	5/8 Inch.
<input type="checkbox"/>	6	217638	V Ribbed Belt	1	
<input type="checkbox"/>	7	3012468	Captive Washer Cap Screw	4	3/8 - 24 X 2 1/4 Inch.
<input type="checkbox"/>	8	3012526	Hexagon Flange Nut	1	7/8 - 14 UNF
<input type="checkbox"/>	9	3066207	Hexagon Flange Head Cap Screw	2	3/8 - 24 X 3 1/8 Inch.
<input type="checkbox"/>		3066330	Idler Pulley	1	Recon equivalent 3066330 RX
<input type="checkbox"/>	10	S 107	Hexagon Head Cap Screw	1	5/16 - 18 X 3/4 in.
<input type="checkbox"/>	11	S 16255	Retaining Ring	1	
<input type="checkbox"/>	12	145551	O-Ring Seal	1	
<input type="checkbox"/>	13	3064404	Idler Pulley Cover	1	
<input type="checkbox"/>	14	3064406	Ball Bearing	1	
<input type="checkbox"/>	15	3066328	Idler Shaft	1	
<input type="checkbox"/>	16	3070458	Plain Washer	1	1/4 Inch.
<input type="checkbox"/>	17	3072355	Idler Pulley	1	
<input type="checkbox"/>	18	3074482	Oil Seal	1	
<input type="checkbox"/>	19	3412267	Dust Seal	1	
<input type="checkbox"/>	20	3076522	Water Pump Gasket	1	
<input type="checkbox"/>	21	3095130	Шкив привода вспомогательных механизмов	1	
		3804826	Water Pump Kit	1	Recon equivalent 3804826 RX

<input type="checkbox"/>		3098697	Водяной насос	1	
<input type="checkbox"/>	22	S 911 B	Pipe Plug	3	1/8 NPT
<input type="checkbox"/>	11	S 16255	Retaining Ring	1	
<input type="checkbox"/>	23	3038998	Oil Seal	1	
<input type="checkbox"/>	24	3064386	Water Pump Impeller	1	
<input type="checkbox"/>		3064392	Water Pump Shaft		
<input type="checkbox"/>	25	196844	Bearing Spacer	1	
	26	3064389	Water Pump Shaft	1	
<input type="checkbox"/>	27	3064390	Water Slinger	1	
<input type="checkbox"/>	14	3064406	Ball Bearing	2	
<input type="checkbox"/>	18	3074482	Oil Seal	1	
<input type="checkbox"/>	28	3067999	Water Pump Pulley	1	
<input type="checkbox"/>	29	4026357	Water Pump Seal	1	
	30	3084024	Water Pump Body	1	

© 2017 Cummins Inc., Box 3005, Columbus, IN 47202-3005 U.S.A.

Условия использования и отказа от ответственности | Рекомендуемые требования к системе
Need Assistance? Please click on the Contact Us button in the top right corner of any page.