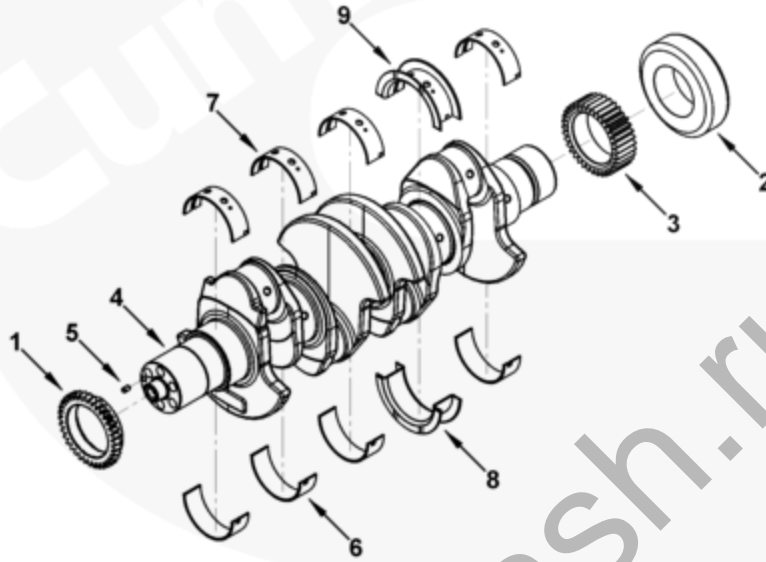




Каталог деталей - Сведения о варианте

Электронный каталог деталей - описание данного варианта				
Доп. устройство	Группа	Рисунок	Карта	Дата
BB9203	01.02	bb913ga	T	15-NOV-11
Двигатели	4B3.9, 6B5.9, B GAS INTERNATIONAL CM556, B4.5, B4.5 CM2350 B129B, B4.5 CM2350 B147B, B4.5 RGT, B4.5S, B5.9 G, B5.9 GAS PLUS CM556, B5.9 LPG, B5.9 LPG PLUS CM556, B6.7 CM2350 B121B, B6.7 CM2350 B135B, B6.7 CM2350 B148B, B6.7 G CMOH6.0 B125, B6.7S, F3.8 CM2350 F120B, F3.8 F102, G3.9, G5.9, G5.9 CM558, ISB (CHRYSLER), ISB CM2150, ISB CM2150 E, ISB CM550, ISB CM850, ISB/ISD4.5 CM2150 B119, ISB/ISD4.5 CM2150 SN, ISB/ISD6.7 CM2150 B120, ISB/ISD6.7 CM2150 SN, ISB/ISD6.7 CM2880 B126, ISB3.9 CM2220 B107, ISB4.5 CM2150, ISB5.9G CM2180, ISB6.7 2010 DCX PICKUP, ISB6.7 2013 DCX CHASSIS CAB, ISB6.7 CM2150 SQ, ISB6.7 CM2250, ISB6.7 CM2350 B101, ISB6.7 CM2350 B103, ISB6.7 CM2350 B142, ISB6.7 G CM2180 B118, ISBE CM2150, ISBE CM800, ISBE2/ISBE3 CM850, ISBE4 CM850, ISD4.5 CM2150, ISD6.7 CM2880 D101, ISF2.8 CM2220, ISF2.8 CM2220 AN, ISF2.8 CM2220 EC, ISF2.8 CM2220 ECF2, ISF2.8 CM2220 F101, ISF2.8 CM2220 F117, ISF2.8 CM2220 F126, ISF2.8 CM2220 F129, ISF2.8 CM2220 IAN, ISF3.8 CM2220, ISF3.8 CM2220 AN, ISF3.8 CM2220 F103, ISF3.8 CM2220 F110, ISF3.8 CM2220 F116, ISF3.8 CM2220 IAN, ISF3.8 CM2350 F109, ISF4.5 CM2220 F123, ISG11 CM2880 G106, ISG11 CM2880 G108, ISG12 CM2880 G107, ISG12 CM2880 G109, ISG12 G CMOH6.0 G111, QSB3.9 30 CM550, QSB3.9 CM2880 B138, QSB4.5 30 CM550, QSB4.5 CM2150 B108, QSB4.5 CM2250 B131, QSB4.5 CM2250 EC, QSB4.5 CM2350 B106, QSB4.5 CM2350 B122, QSB4.5 CM2350 B144, QSB4.5 CM850, QSB5.9 30 CM550, QSB5.9 44 CM550, QSB5.9 CM2880 B115, QSB5.9 CM2880 B139, QSB5.9 CM850, QSB6.7 CM2150 B109, QSB6.7 CM2250			



bb913ga

МАЛЫЙ | СРЕДНИЙ | БОЛЬШОЙ

Cart	Ref No	Part Number	Part Description	Required	Remarks
<input type="button" value="View My Cart"/>					
		BB9203	Коленчатый вал и подшипники		Crankshaft and Bearings
<input type="checkbox"/>		3974634	Engine Crankshaft	1	
		3974539	Engine Crankshaft	1	
	1	4934419	Crankshaft Gear	1	
<input type="checkbox"/>	2	2831066	Shaft Collar	1	
<input type="checkbox"/>	3	4934418	Crankshaft Gear	1	
	4	3968176	Engine Crankshaft	1	
<input type="checkbox"/>	5	3904483	Pin Dowel	1	
		4955745	Main Bearing Set	A/R	

<input type="checkbox"/>					
	6	3978820	Main Bearing	5	Standard.
	7	3978818	Main Bearing	4	Standard.
<input type="checkbox"/>	8	3978824	Thrust Bearing	1	Standard Lower.
<input type="checkbox"/>	9	3978822	Thrust Bearing	1	Standard.
<input type="checkbox"/>		4955856	Main Bearing Set	A/R	0.25 mm Oversize
<input type="checkbox"/>	6	4938937	Main Bearing	5	
<input type="checkbox"/>	7	4938933	Main Bearing	4	
<input type="checkbox"/>	9	4938949	Thrust Bearing	1	
<input type="checkbox"/>		4955857	Main Bearing Set	A/R	0.50 mm Oversize
<input type="checkbox"/>	6	4938938	Main Bearing	5	
<input type="checkbox"/>	7	4938934	Main Bearing	4	
<input type="checkbox"/>	9	4938950	Thrust Bearing	1	
<input type="checkbox"/>		4955858	Main Bearing Set	A/R	0.75 mm Oversize.
<input type="checkbox"/>	6	4938939	Main Bearing	5	
<input type="checkbox"/>	7	4938935	Main Bearing	4	
<input type="checkbox"/>	9	4938951	Thrust Bearing	1	
<input type="checkbox"/>		4955859	Main Bearing Set	A/R	1.00 mm Oversize
<input type="checkbox"/>	6	4938940	Main Bearing	5	
<input type="checkbox"/>	7	4938936	Main Bearing	4	
<input type="checkbox"/>	9	4938952	Thrust Bearing	1	
<input type="checkbox"/>	8	4938942	Thrust Bearing	1	0.25 mm Oversize
<input type="checkbox"/>	8	4938943	Thrust Bearing	1	0.50 mm Oversize
<input type="checkbox"/>	8	4938944	Thrust Bearing	1	0.75 mm Oversize
<input type="checkbox"/>	8	4938945	Thrust Bearing	1	1.00 mm Oversize
<input type="checkbox"/>	8	4938946	Thrust Bearing	1	0.50 mm Oversize

<input type="checkbox"/>	8	4938947	Thrust Bearing	1	1.00 mm Oversize
<input type="checkbox"/>	9	4938953	Thrust Bearing	1	0.50 mm Oversize.
<input type="checkbox"/>	9	4938954	Thrust Bearing	1	1.00 mm Oversize.
<input type="checkbox"/>		3802820	Wear Sleeve Kit Front Seal	A/R	Front.
<input type="checkbox"/>		3926126	Wear Sleeve Kit Rear Seal	A/R	Rear.

© 2017 Cummins Inc., Box 3005, Columbus, IN 47202-3005 U.S.A.

Условия использования и отказа от ответственности | Рекомендуемые требования к системе
Need Assistance? Please click on the Contact Us button in the top right corner of any page.

www.tksmash.ru